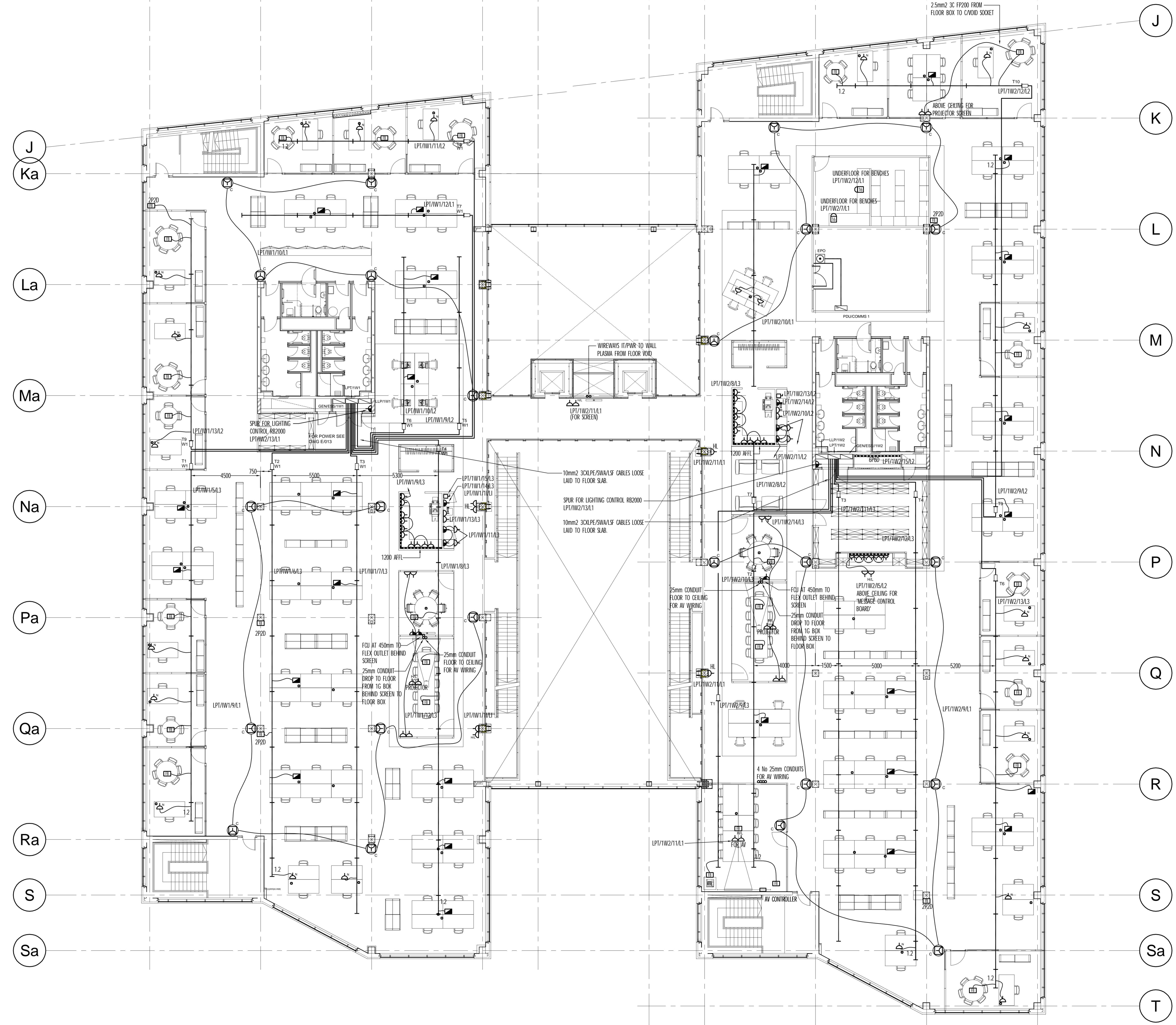


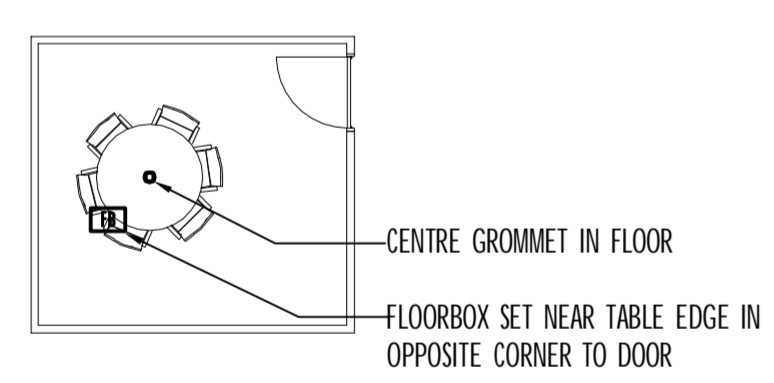
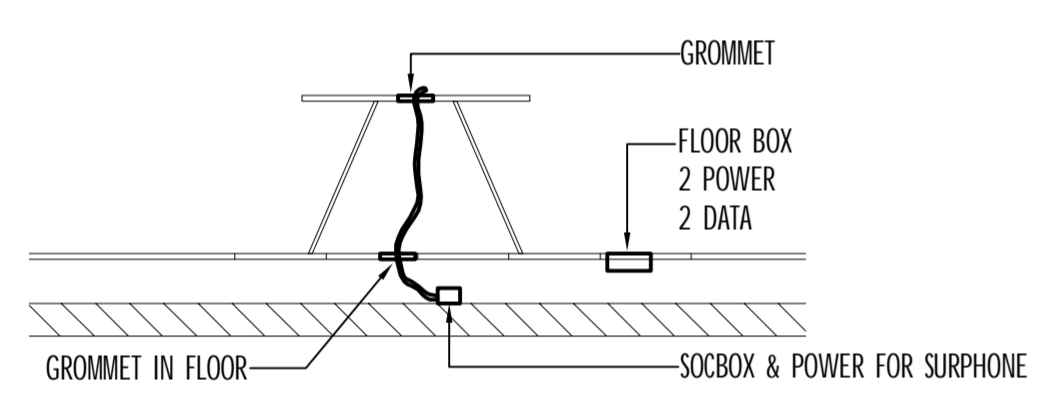
17 16 15 14 13 13a 12 11 10 9

WING 1

WING 2



GROMMET & FLOORBOX ARRANGEMENT FOR ALL SMALL MEETING ROOMS WITH ROUND TABLES (NTS)



SMALL POWER NOTES AND LEGEND
DO NOT SCALE FROM THIS DRAWING
LANDLORDS SERVICES NOT SHOWN FOR CLARITY - SEE BASE BUILD DRAWING.
FOR SECURITY POWER SEE DRAWING No. _____

SMALL POWER SYMBOLS

- POWER TRACK AS ELECTRICAL E2S LOW NOISE UNLESS STATED ON DRAWING.
 - 150MM DIAMETER GROMMET
 - CLEANERS GROMMET AS ELECTRAC EG0020
 - DADO TRUNKING
 - TWIN 13AMP SOCKET OUTLET
 - FUSE CONNECTION UNIT
 - LEAK DETECTION PANEL
 - FLOOR BOX - TYPE 1 (3 COMPARTMENT)
2 NO. SOCKET OUTLET
1 x RJ45 DATA OUTLET PLATE ONLY
 - FLOOR BOX - TYPE 1 (3 COMPARTMENT)
2 NO. SOCKET OUTLET
2 x RJ45 DATA OUTLET PLATE ONLY
 - FLOOR VOID
 - HAND DRYER
 - HAIR DRYER
 - 45A SPN ISOLATOR FOR WATER BOILER
 - 4 WAY MCB UNIT SUPPLIED BY TANGENT DESK MANUFACTURER SERVED VIA ELECTRIC TAP OFF LEAD
 - NON-STANDARD SINGLE SOCKET AS MK K1247 ALM MOUNTED UNDERFLOOR & SERVED VIA ELECTRIC TAP OFF LEAD
 - PANIC/DISABLED ALARM P.S.U.
 - PANIC ALARM PUSH BUTTON
 - PANIC ALARM RESET UNIT
 - LAMP/TONE UNIT
 - DISABLED PULL CORD
 - DISABLED ALARM REPEAT PANEL
 - DISABLED ALARM RELAY UNIT BOX
 - 16A COMMANDO SOCKET
- MOUNTING HEIGHTS
T. SOCKETS 450 AFFL TO U.S.

